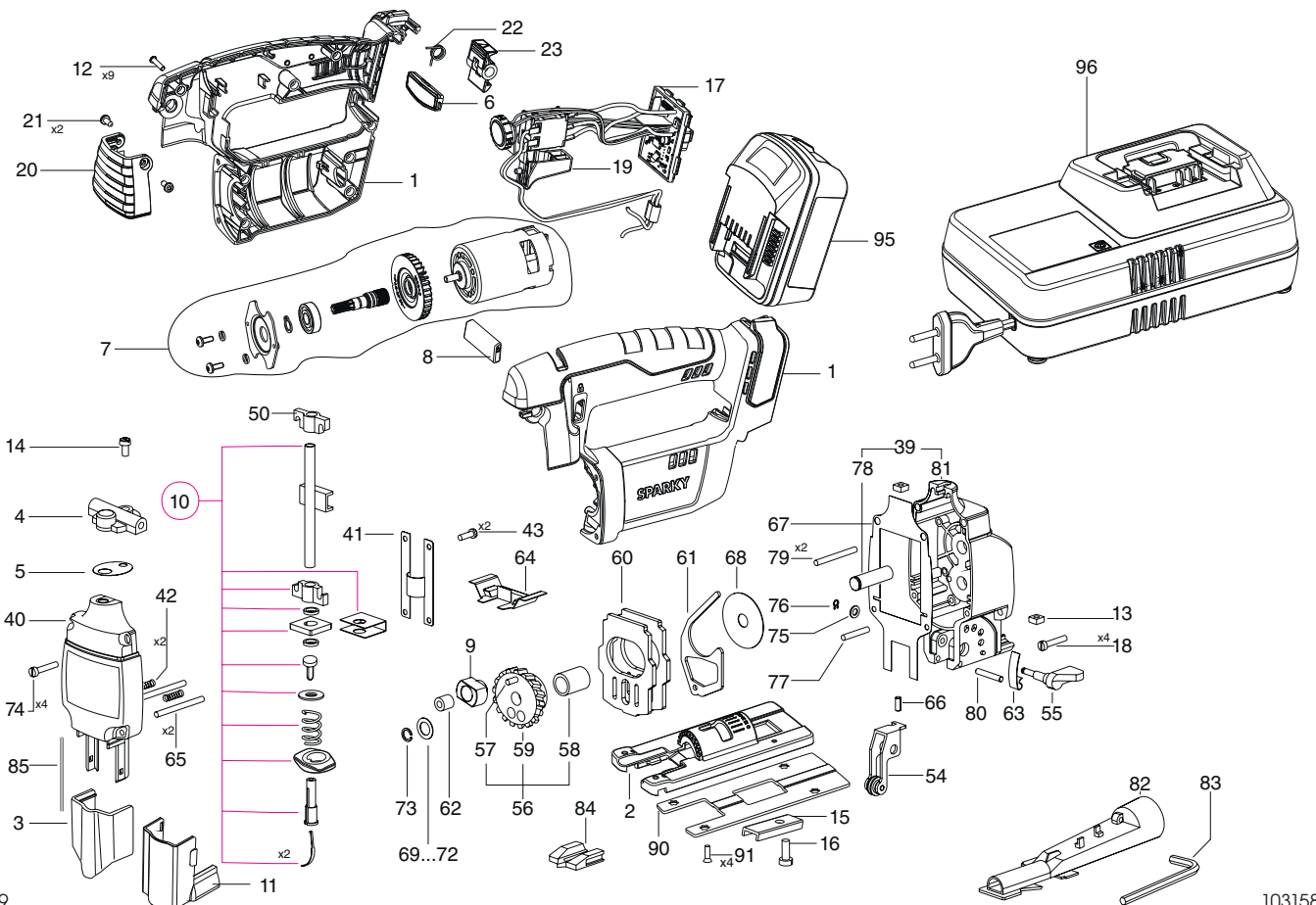


| POS. No. | Ref.No. | Description | POS. No. | Ref.No. | Description |
|----------|---------|---------------------|----------|---------|-------------------------------------|
| 1 | 149705 | Casing set | 58 | 621822 | Bearing HK 1015 |
| 2 | 175665 | Base plate | 59 | 149717 | Gear box set |
| 3 | 150866 | Screen | 60 | 272829 | Counterweight plates |
| 4 | 150018 | Console | 61 | 272828 | Cradle |
| 5 | 272824 | Gasket | 62 | 330812 | Bearing K5x8x10THN |
| 6 | 142679 | Screen | 63 | 300237 | Spring |
| 7 | 149703 | Motor Set | 64 | 272843 | Holder |
| 8 | 149212 | Reversing Actuator | 65 | 621875 | Pin 4M6x48 |
| 9 | 153980 | Bearing | 66 | 330065 | Bearing 6004-2Z |
| 10 | 146873 | Link set | 67 | 272847 | Gasket |
| 11 | 153431 | Screen | 68 | 621823 | Washer A 10,2x42x0,5 |
| 12 | 361247 | Screw K3x15 TORX 10 | 69 | 621824 | Washer A 10,1x16x0,5 |
| 13 | 114031 | Nut M5 | 70 | 621959 | Washer A 10,1x16x0,6 |
| 14 | 360450 | Screw M5X16 | 71 | 621960 | Washer A 10,1x16x0,7 |
| 15 | 176013 | Claming plate | 72 | 621961 | Washer A 10,1x16x0,8 |
| 16 | 360246 | Screw M5x16 | 73 | 330081 | Circlip B10-4 |
| 17 | 149711 | PCB+switch set | 74 | 361440 | Screw J1-M4x22 |
| 18 | 361328 | Screw K4x18 TORX 20 | 75 | 939405 | Washer A 4,3x9x0,5 |
| 19 | 149494 | Trigger | 76 | 330487 | Circlip B 4 |
| 20 | 149707 | Front cover | 77 | 621942 | Pin 4M6x32 |
| 21 | 361507 | Screw J1-M4x10- MK | 78 | 272826 | Bearing bolt |
| 22 | 142686 | Spring | 79 | 621832 | Pin 4M6x36 |
| 23 | 142685 | Lock button | 80 | 621888 | Pin 4M6x28 |
| 39 | 149717 | Gear box set | 81 | 143142 | Gear box set |
| 40 | 143143 | Gear cover | 82 | 124824 | Adapter |
| 41 | 300049 | Piston guide | 83 | 606738 | Spanner 4 |
| 42 | 205846 | Spring | 84 | 170835 | Guard |
| 43 | 361328 | Screw K4x18 TORX 20 | 85 | 152204 | Pin from 01.05.2001 |
| 50 | 272830 | Bearing | 90 | 168357 | Plate |
| 54 | 150870 | Roller set | 91 | 360671 | Screw M4x8 |
| 55 | 274989 | Handle | 95 | 148363 | Battery pack ass'y BL 1840 |
| 56 | 149718 | Spindle gear Set | 96 | 148367 | Charger.ass'y/EU (12-18V/1,5-3Ah)Li |
| 57 | 805592 | Pin 5x14,8 | | | |



103159

103158